



Since 1975... serving the automotive industry and over 2,000 OEM customers  
www.judcomfg.com

# Focus-Lite™

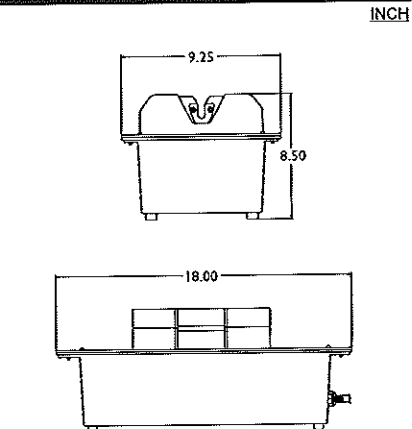
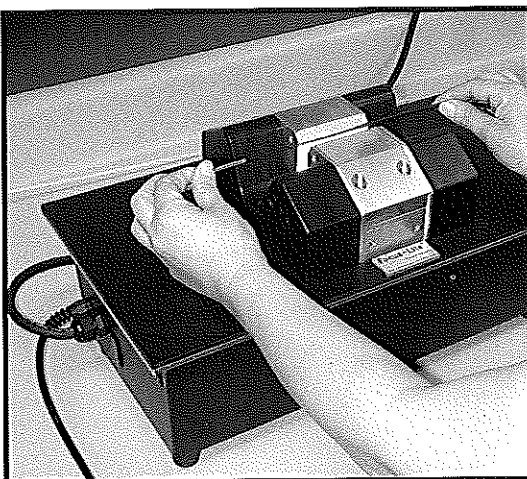
FL30 / FL80 / FL160 / FLG2

Heat Shrink Tube Processing Machines

## Focus-Lite™ 30

### Specifications

- Shrink Length:** up to 2.50"
- Largest Work Piece Diameter:** 5/8"
- Includes:** Dimmer Switch, Adjustable Timer, Glare Shield, 6' power cord w/GFCI
- Activation:** Foot pedal
- Energy Used:** 146 watts (avg.) / 125VAC
- Bulb:** Commercial quality Quartz Halogen
- Avg. Shrink Time:** 2-4 Seconds (polyolefin)
- Ship Weight:** 25lbs.

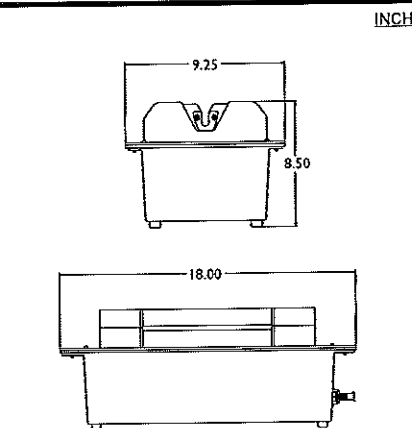
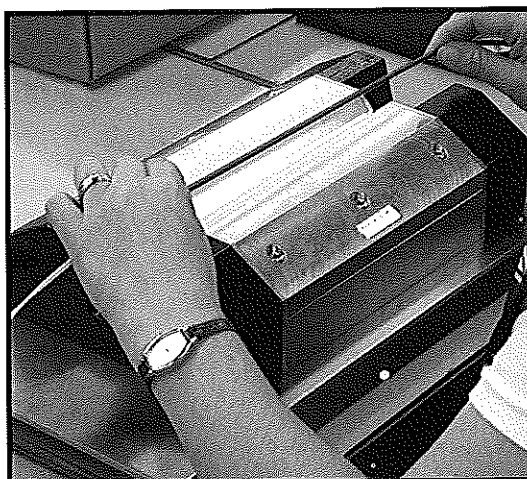


Contact factory for exact dimensions and specifications.

## Focus-Lite™ 80, 160

### Specifications

- Shrink Length:** FL80 - up to 8.0"  
FL160 - up to 15.5"
- Largest Work Piece Diameter:** 5/8"
- Includes:** Dimmer Switch, Adjustable Timer, Glare Shield, 6' power cord w/GFCI
- Activation:** Foot pedal
- Energy Used:** 300 watts (avg.) / 125VAC
- Bulb:** Commercial quality Quartz Halogen
- Avg. Shrink Time:** 2-4 Seconds (polyolefin)
- Ship Weight:** FL80 40lbs. / FL160 65lbs.



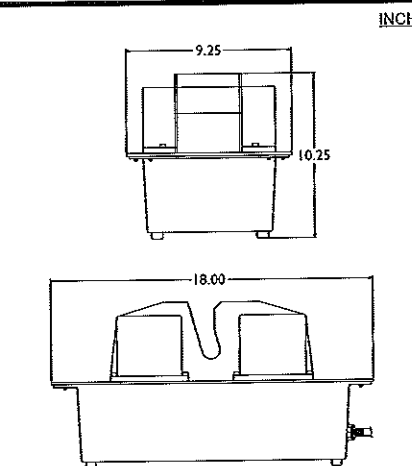
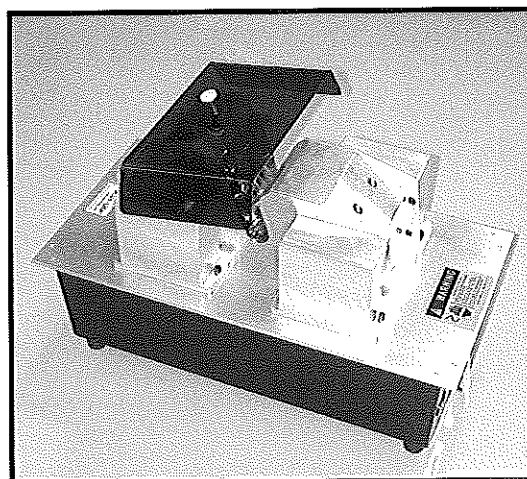
FL80 shown / FL160 Length: 24"

Contact factory for exact dimensions and specifications.

## Focus-Lite™ G2

### Specifications

- Shrink Length:** up to 3.0"
- Largest Work Piece Diameter:** 1.5"
- Includes:** Dimmer Switch, Adjustable Timer, Glare Shield, 6' power cord w/GFCI
- Activation:** Foot pedal
- Energy Used:** 300 watts (avg.) / 125VAC
- Bulb:** Commercial quality Quartz Halogen
- Avg. Shrink Time:** 4-6 Seconds (polyolefin)
- Ship Weight:** 40lbs.



Contact factory for exact dimensions and specifications.