

# Molded Parts Specification Control Drawing

Part Number : 222K121 thru 185  
Description : Boot, 90°, With Lip

## NOTES

- All dimensions are in  $\frac{\text{inches}}{\text{millimeters}}$
- Dimensions appearing in table are as follows:  
a - As Supplied  
b - After Unrestricted Recovery
- Coating is optional. As supplied dimensions appearing in table are for uncoated parts. When coating is added, entry diameters will be reduced by .06 max.
- Molding ports are optional. When -00 modification number is specified molding ports will be located as shown.
- If eyelet clip (000W212) is required with part then add CS-1858 to description (i.e. 202K121-3-0-CS-1858).

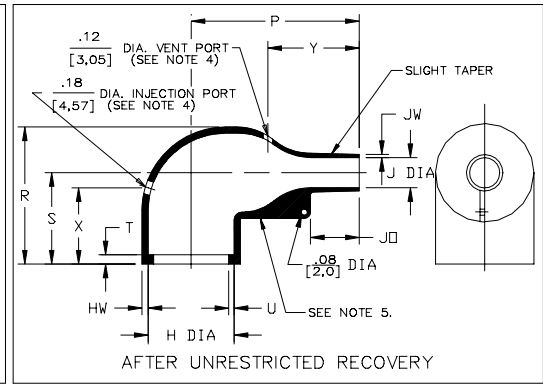
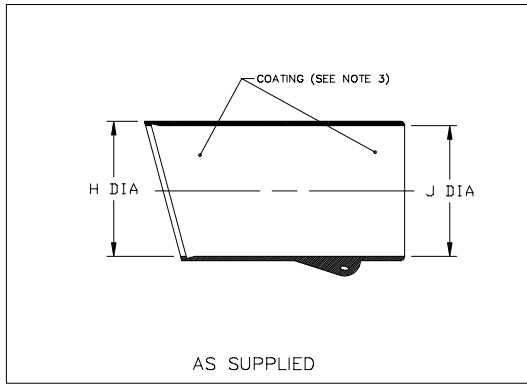


TABLE OF DIMENSIONS

PART NUMBER	H			J			P	R	S	T	U	JO	HW	JW	X	Y
	Min <sub>a</sub>	Min <sub>a</sub>	Max <sub>b</sub>	Min <sub>a</sub>	Min <sub>a</sub>	Max <sub>b</sub>										
222K121	.95 [24,0]	.95 [24,0]	.41 [10,4]	.95 [24,0]	.55 [14,0]	.22 [5,6]	.98 [25,0]	.98 [25,0]	.75 [19,0]	.12 [3,0]	.04 [1,0]	.33 [8,5]	.05 [1,3]	.016 [0,4]	.71 [18,0]	.63 [16,0]
222K132	1.18 [30,0]	1.18 [30,0]	.56 [14,2]	1.18 [30,0]	.59 [15,0]	.23 [5,9]	1.26 [32,0]	1.06 [27,0]	.79 [20,0]	.12 [3,0]	.04 [1,0]	.33 [8,5]	.06 [1,5]	.024 [0,61]	.71 [18,0]	.79 [20,0]
222K142	1.22 [31,0]	1.22 [31,0]	.71 [18,0]	1.22 [31,0]	.71 [18,0]	.28 [7,1]	1.54 [39,0]	1.22 [31,0]	.83 [21,0]	.12 [3,0]	.04 [1,0]	.59 [15,0]	.07 [1,8]	.032 [0,81]	.71 [18,0]	.79 [20,0]
222K152	1.42 [36,0]	1.42 [36,0]	.88 [22,4]	1.42 [36,0]	.83 [21,0]	.33 [8,4]	1.81 [46,0]	1.50 [38,0]	1.02 [26,0]	.12 [3,0]	.04 [1,0]	.63 [16,0]	.07 [1,8]	.032 [0,81]	.98 [25,0]	.98 [25,0]
222K163	1.69 [43,0]	1.69 [43,0]	1.11 [28,2]	1.69 [43,0]	.98 [25,0]	.39 [9,9]	2.17 [55,0]	1.77 [45,0]	1.18 [30,0]	.12 [3,0]	.07 [1,7]	.69 [17,5]	.08 [2,0]	.032 [0,81]	.98 [25,0]	1.18 [30,0]
222K174	2.36 [60,0]	2.05 [52,0]	1.38 [35,0]	2.36 [60,0]	1.54 [39,0]	.62 [15,7]	2.15 [54,0]	2.15 [54,0]	1.28 [32,0]	.12 [3,0]	.07 [1,7]	1.26 [32,0]	.13 [3,3]	.040 [1,02]	.98 [25,0]	1.77 [45,0]
222K185	2.60 [66,0]	2.60 [66,0]	1.75 [44,5]	2.60 [66,0]	1.65 [42,0]	.66 [16,8]	4.25 [108,0]	2.68 [68,0]	1.65 [42,0]	.12 [3,0]	.08 [2,0]	1.89 [48,0]	.15 [3,8]	.064 [1,63]	1.38 [35,0]	2.76 [70,0]

If this document is printed it becomes uncontrolled.  
Check for the latest revision.



TYCO ELECTRONICS  
300 CONSTITUTION DRIVE  
MENLO PARK, CALIFORNIA 94025

Revision : Z  
Date : 3/03/03

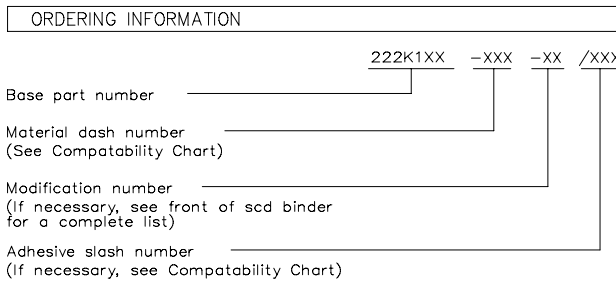
Part Number : 222K121 thru 185  
Description : Boot, 90°, With Lip

# Molded Parts Specification Control Drawing

Part Number : 222K121 thru 185  
Description : Boot, 90°, With Lip

MATERIAL DASH NO.	MATERIAL DESCRIPTION	RT SPEC	COATING SLASH NO.	COATING S NO.	COATING DESCRIPTION
-3	Polyolefin, Semi-rigid	RT-301	/42;/86	S-1017;S-1048	Adhesive
-4	Polyolefin, Flexible	RT-1304	/42;/86	S-1017;S-1048	Adhesive
-12	*VITON, Flexible	RT-1312	N/A		
-25	Elastomer, Fluid Resistant	RT-1325	/86;/87	S-1048;S-1052	Adhesive, Sealant
-100	Polyolefin, Semi-flexible ZEROHAL™	RT-1323	/180;/184	S-1030/1;S-1030/1	Adhesive

\*VITON is a Registered Trademark of Dupont



THIS DRAWING IS SUBJECT TO CHANGE WITHOUT NOTICE; CONSULT YOUR NEAREST FIELD REPRESENTATIVE FOR CURRENT REVISION

**tyco/electronics**  
TYCO ELECTRONICS  
300 CONSTITUTION DRIVE  
MENLO PARK, CALIFORNIA 94025

Revision : Z  
Date : 3/03/03

Part Number : 222K121 thru 185  
Description : Boot, 90°, With lip